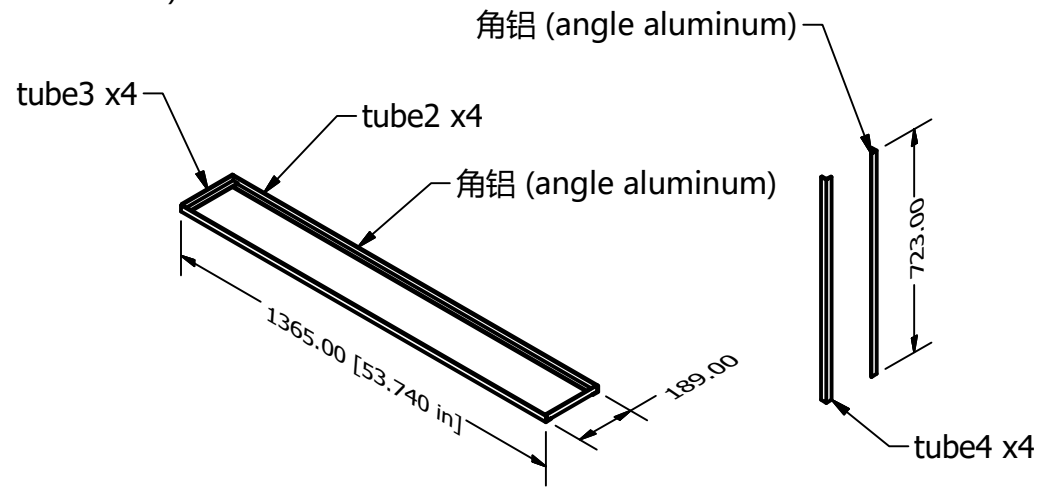


盒子卡通 (box cartoon)



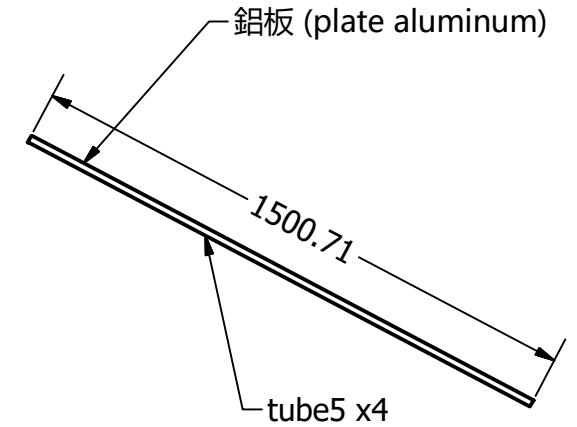
角铝 (angle aluminum)

tube3 x4

tube2 x4

角铝 (angle aluminum)

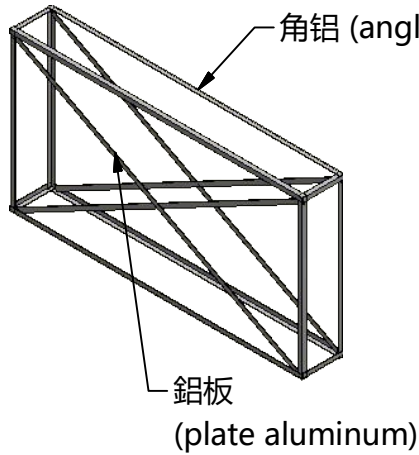
tube4 x4



铝板 (plate aluminum)

1500.71

tube5 x4



角铝 (angle aluminum)

铝板
(plate aluminum)

角铝 (angle aluminum)

$4 \times [\text{tube2 } 1365\text{mm}] + 2 \times [\text{tube3 } 189\text{mm}] \Rightarrow 2 \times 3\text{mts}$
 $4 \times [\text{tube4 } 723\text{mm}] \Rightarrow 1 \times 3\text{mts}$
 $2 \times [\text{tube3 } 189\text{mm}]$

铝板 (plate aluminum)

$4 \times [\text{tube5 } 1500\text{mm}] \Rightarrow 2 \times 3\text{mts}$

PARTS LIST		
ITEM	QTY	PART NUMBER
2	1	tube2
3	1	tube2_MIR
4	1	tube3
5	1	tube3_MIR
6	1	tube2_MIR3
7	1	tube2_MIR_MIR2
8	1	tube3_MIR3
9	1	tube3_MIR_MIR2
10	1	tube4
11	1	tube4_MIR
12	1	tube4_MIR1
13	1	tube4_MIR_MIR
14	2	tube5
15	2	tube5_MIR